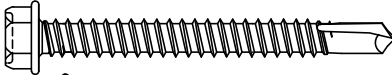



PANEL FASTENERS

- A #10 X 2" HWH SD #3 
- B #10-16X3/4" PWH SDS #3 



Fairfield Metal
 9 Audrey Place, Fairfield, NJ 07004
 Phone: 973-276-8440
 www.fairfieldmetal.com

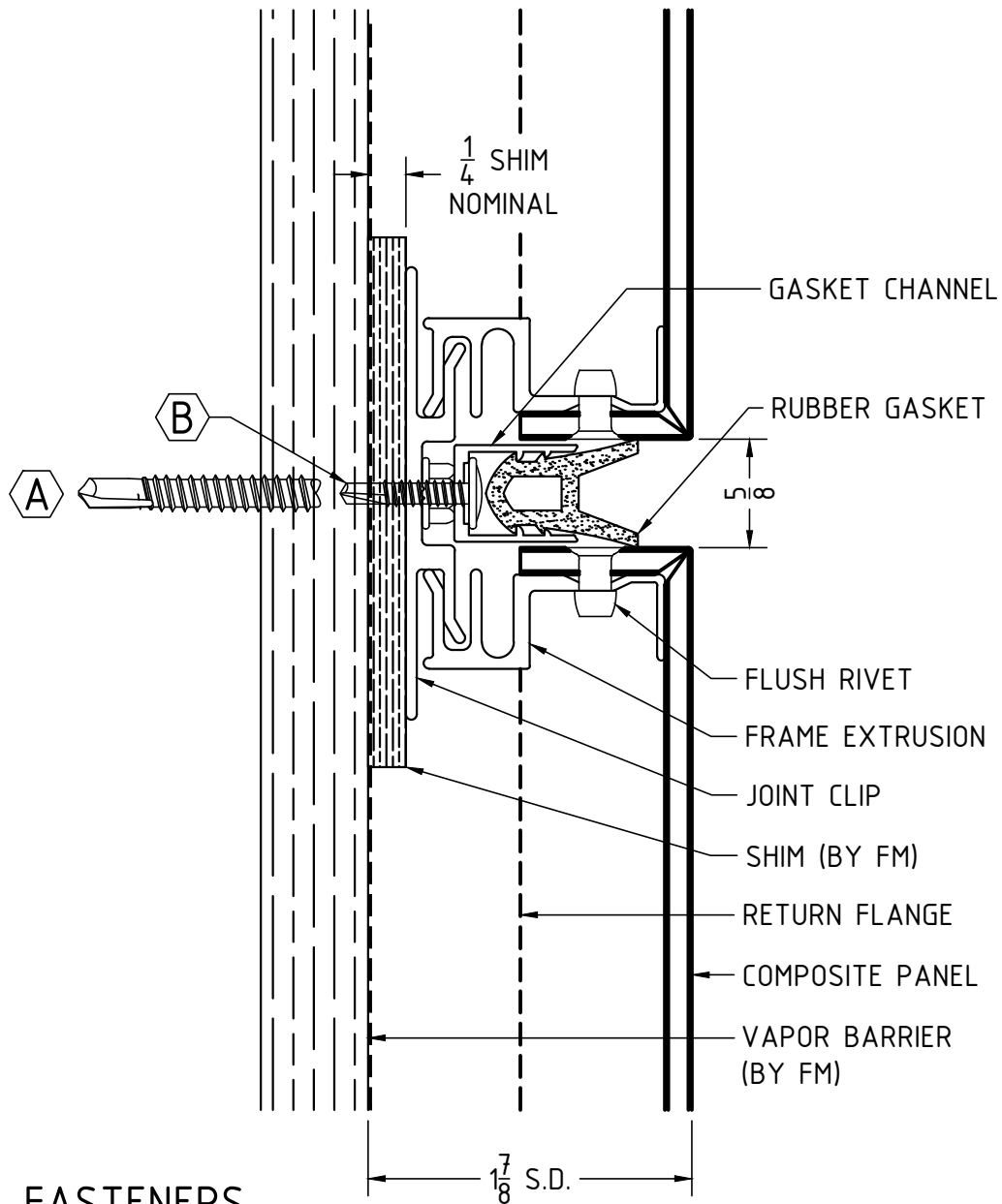
Project Name:
 GFM-VERTICAL JOINT DETAIL

Drawing No.
 GFM-VJ1

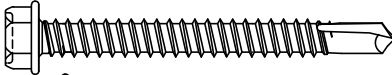

Drawn By: BJ

Scale: 1:1

Date: 03.05.2014



PANEL FASTENERS

- A** #10 X 2" HWH SD #3 
- B** #10-16X3/4" PWH SDS #3 



Fairfield Metal
 9 Audrey Place, Fairfield, NJ 07004
 Phone: 973-276-8440
 www.fairfieldmetal.com

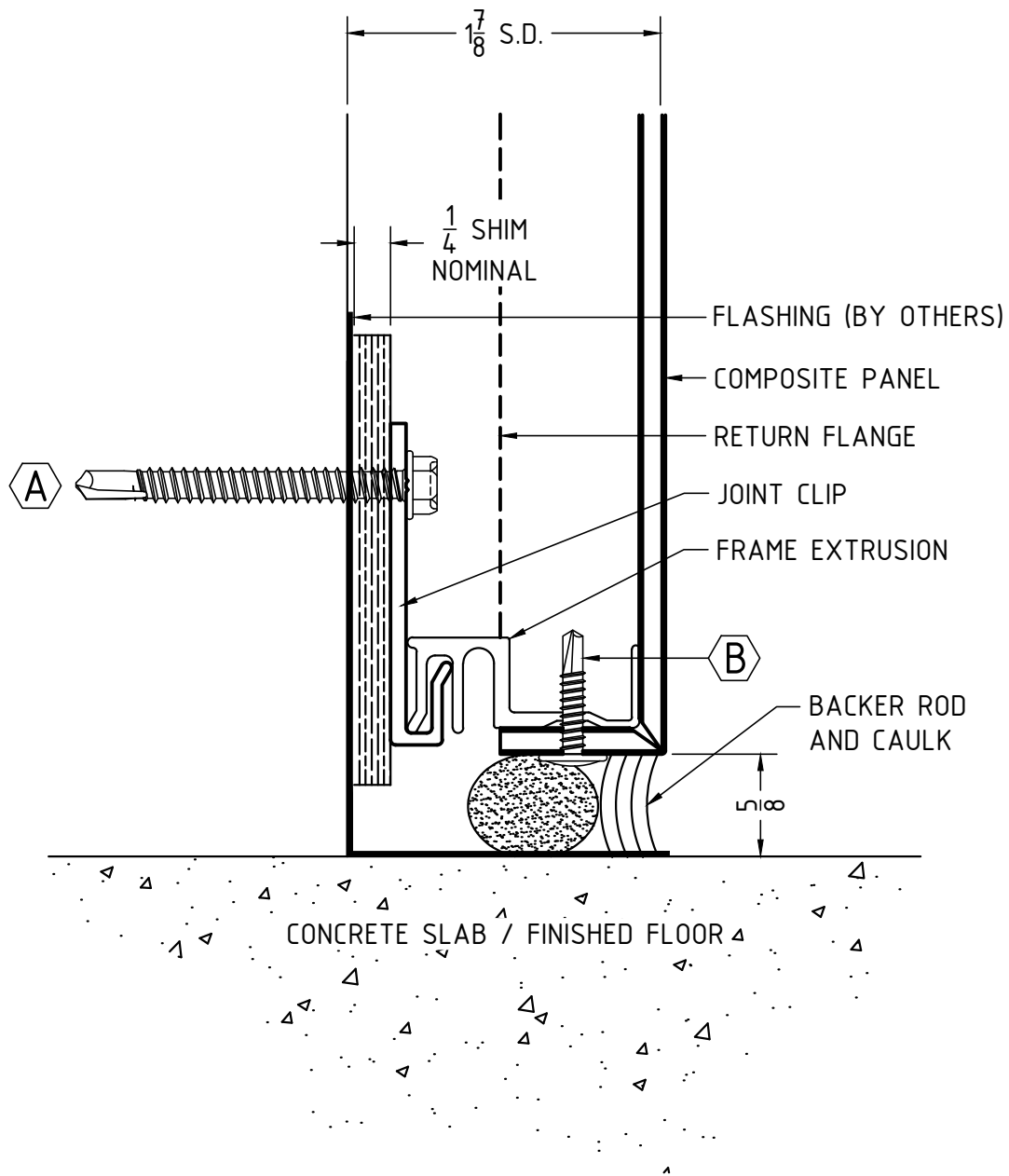
Project Name:
 GFM-HORIZONTAL JOINT DETAIL

Drawing No.
 GFM-HJ1

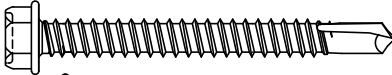
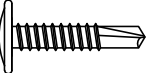
Drawn By: BJ

Scale: 1:1

Date: 03.05.2014



PANEL FASTENERS

- A** #10 X 2" HWH SD #3 
- B** #10-16X3/4" PWH SDS #3 



Fairfield Metal
 9 Audrey Place, Fairfield, NJ 07004
 Phone: 973-276-8440
 www.fairfieldmetal.com

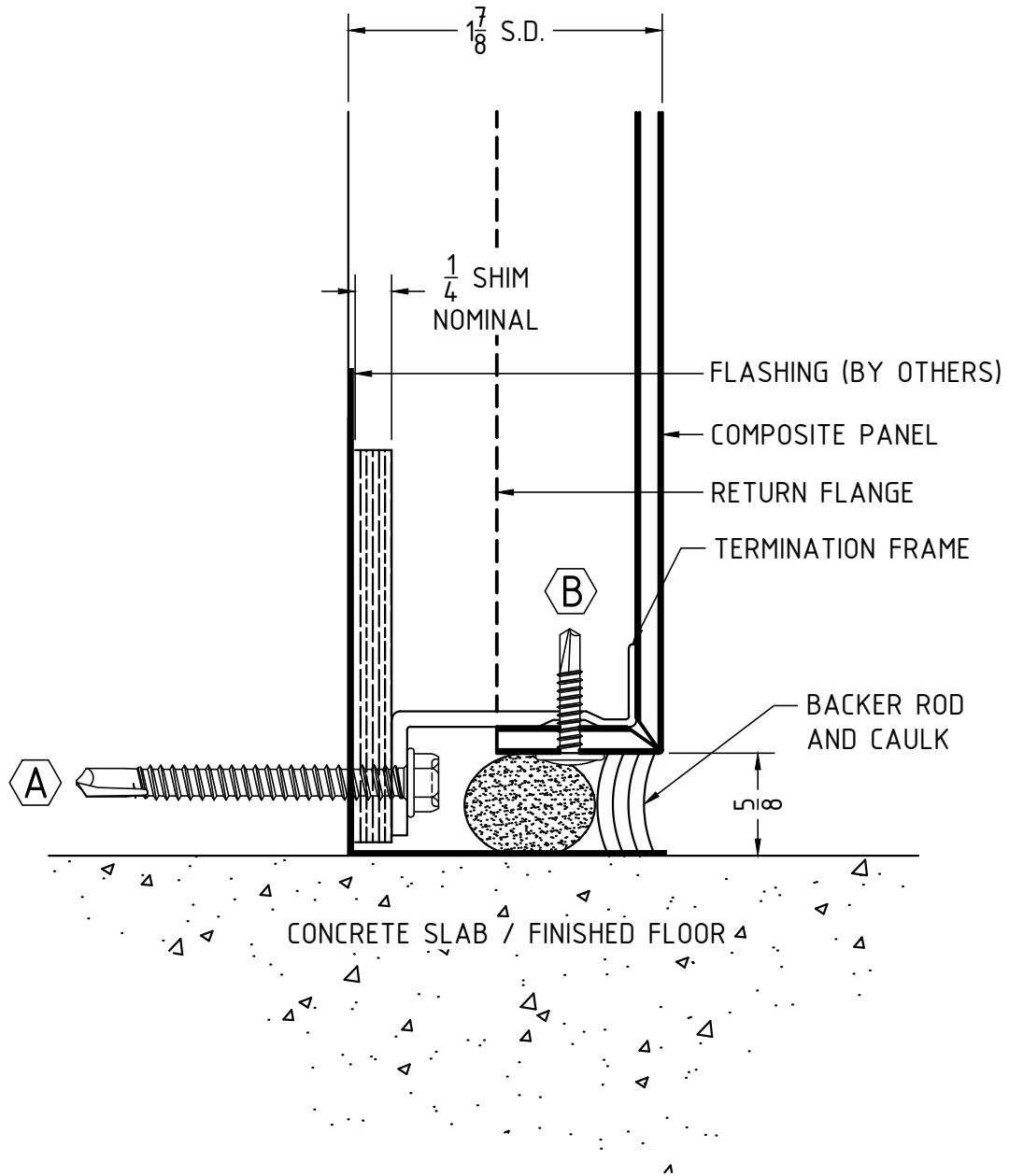
Project Name:
 GFM-BASE DETAIL (TYPE A)

Drawing No.
 GFM-BD1

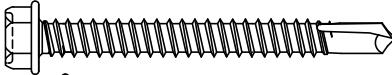
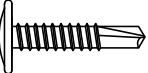
Drawn By: BJ

Scale: 1:1

Date: 03.05.2014



PANEL FASTENERS

- A** #10 X 2" HWH SD #3 
- B** #10-16X3/4" PWH SDS #3 



Fairfield Metal
 9 Audrey Place, Fairfield, NJ 07004
 Phone: 973-276-8440
 www.fairfieldmetal.com

Project Name:
 GFM-BASE DETAIL (TYPE B)

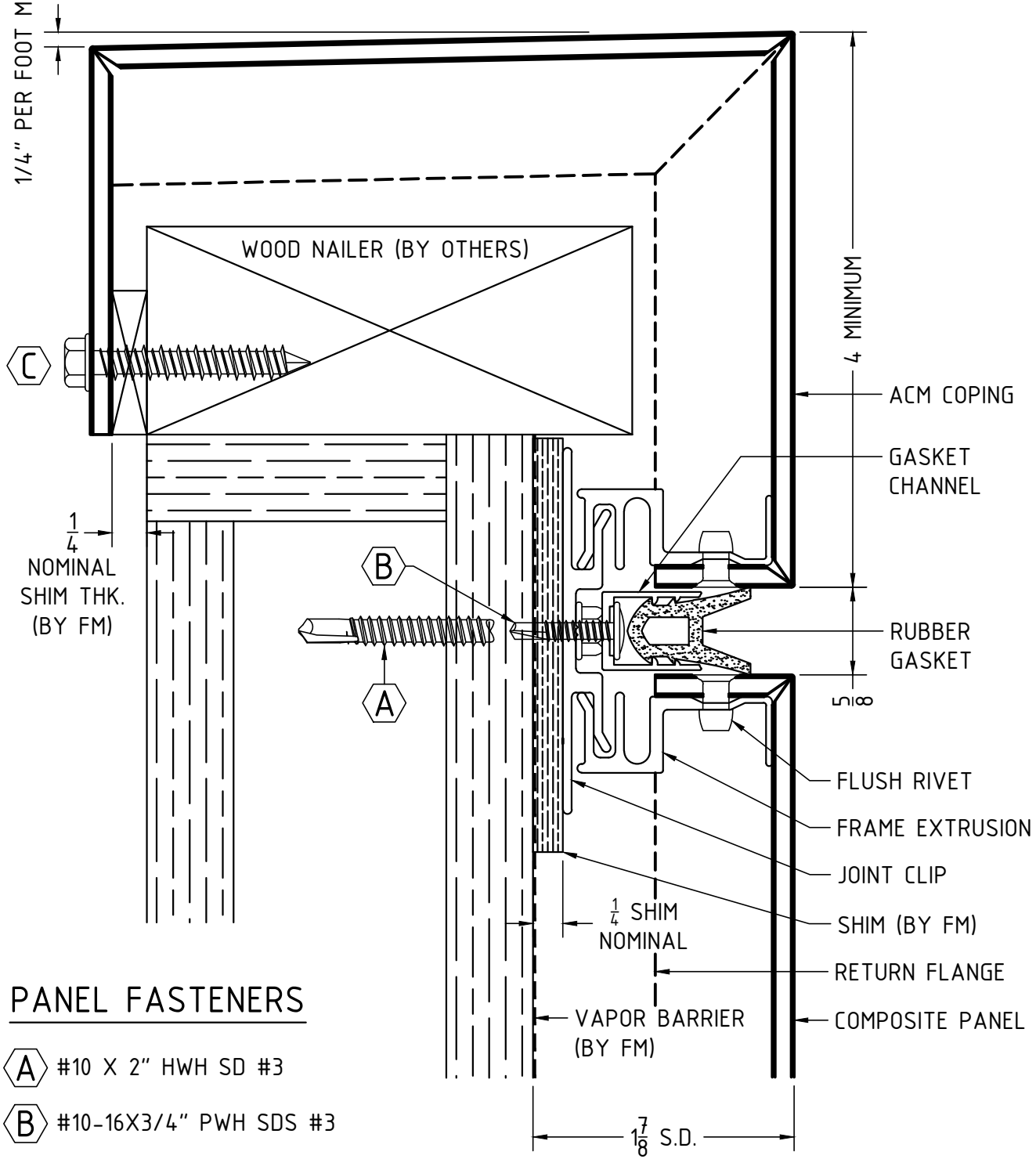
Drawing No.
 GFM-BD2

Drawn By: BJ

Scale: 1:1

Date: 03.05.2014

1/4" PER FOOT MIN. SLOPE



PANEL FASTENERS

- A** #10 X 2" HWH SD #3
- B** #10-16X3/4" PWH SDS #3
- C** #9-15X1-1/2" HWH MW #GIMLET



Fairfield Metal
 9 Audrey Place, Fairfield, NJ 07004
 Phone: 973-276-8440
 www.fairfieldmetal.com

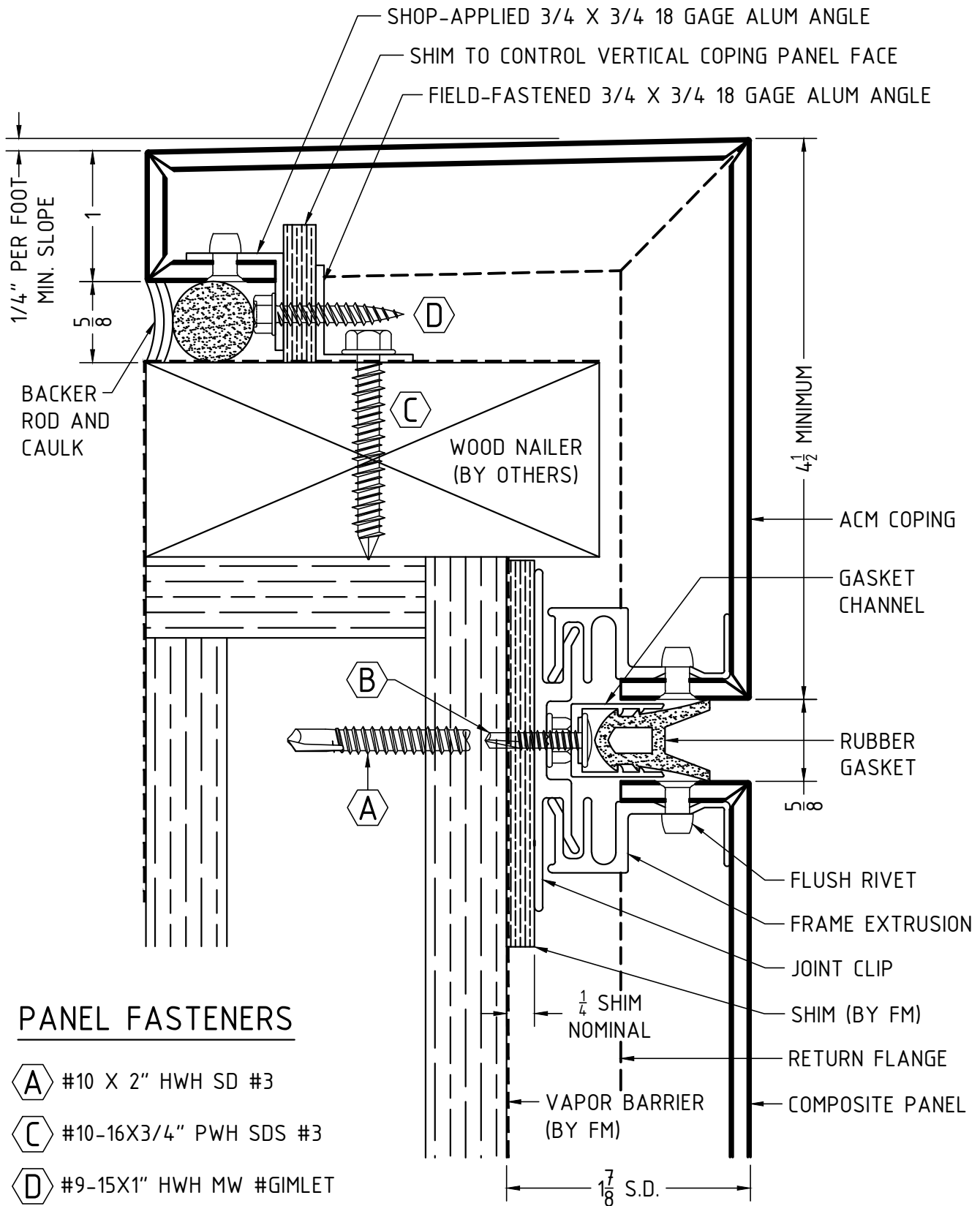
Project Name:
 GFM-COPING DETAIL (TYPE A)

Drawing No.
 GFM-CD1

Drawn By: BJ

Scale: 1:1

Date: 03.05.2014



PANEL FASTENERS

- A** #10 X 2" HWH SD #3
- C** #10-16X3/4" PWH SDS #3
- D** #9-15X1" HWH MW #GIMLET



Fairfield Metal
 9 Audrey Place, Fairfield, NJ 07004
 Phone: 973-276-8440
 www.fairfieldmetal.com

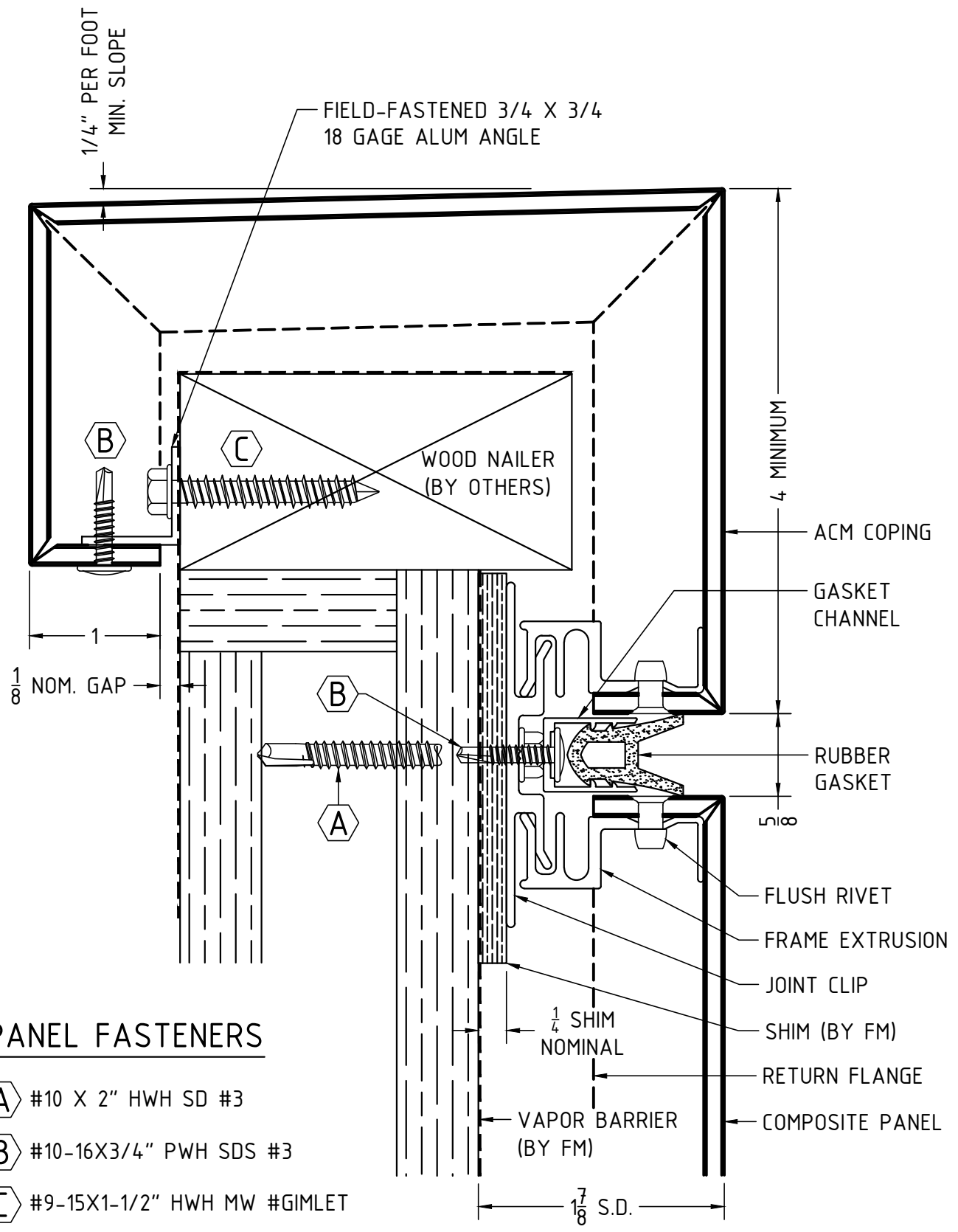
Project Name:
 GFM-COPING DETAIL (TYPE B)

Drawing No.
 GFM-CD2

Drawn By: BJ

Scale: 1:1

Date: 03.05.2014



PANEL FASTENERS

- A** #10 X 2" HWH SD #3
- B** #10-16X3/4" PWH SDS #3
- C** #9-15X1-1/2" HWH MW #GIMLET



Fairfield Metal
 9 Audrey Place, Fairfield, NJ 07004
 Phone: 973-276-8440
 www.fairfieldmetal.com

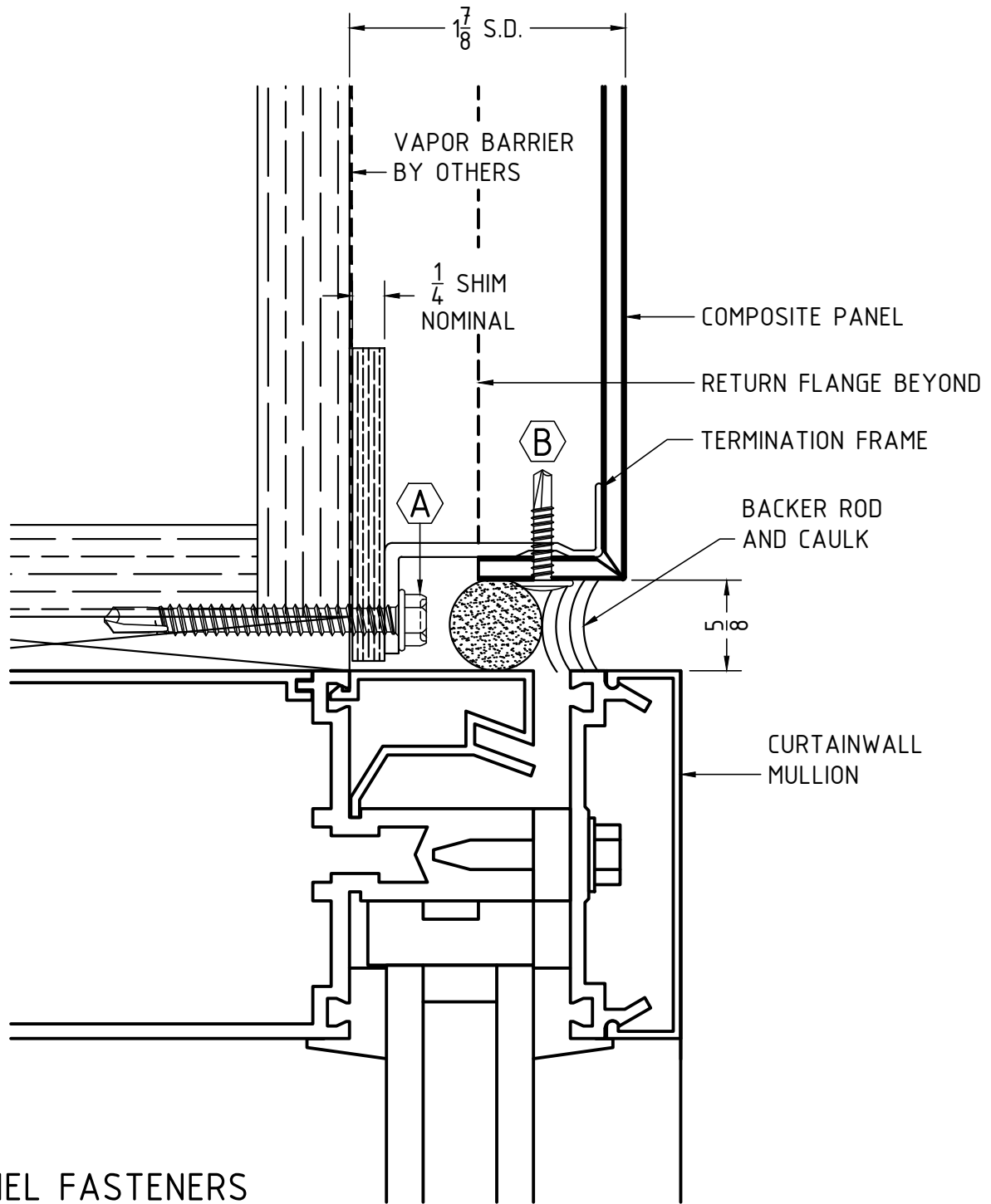
Project Name:
 GFM-COPING DETAIL (TYPE C)

Drawing No.
 GFM-CD3


Drawn By: BJ

Scale: 1:1

Date: 03.05.2014



PANEL FASTENERS

- A #10 X 2" HWH SD #3 
- B #10-16X3/4" PWH SDS #3 



Fairfield Metal
 9 Audrey Place, Fairfield, NJ 07004
 Phone: 973-276-8440
 www.fairfieldmetal.com

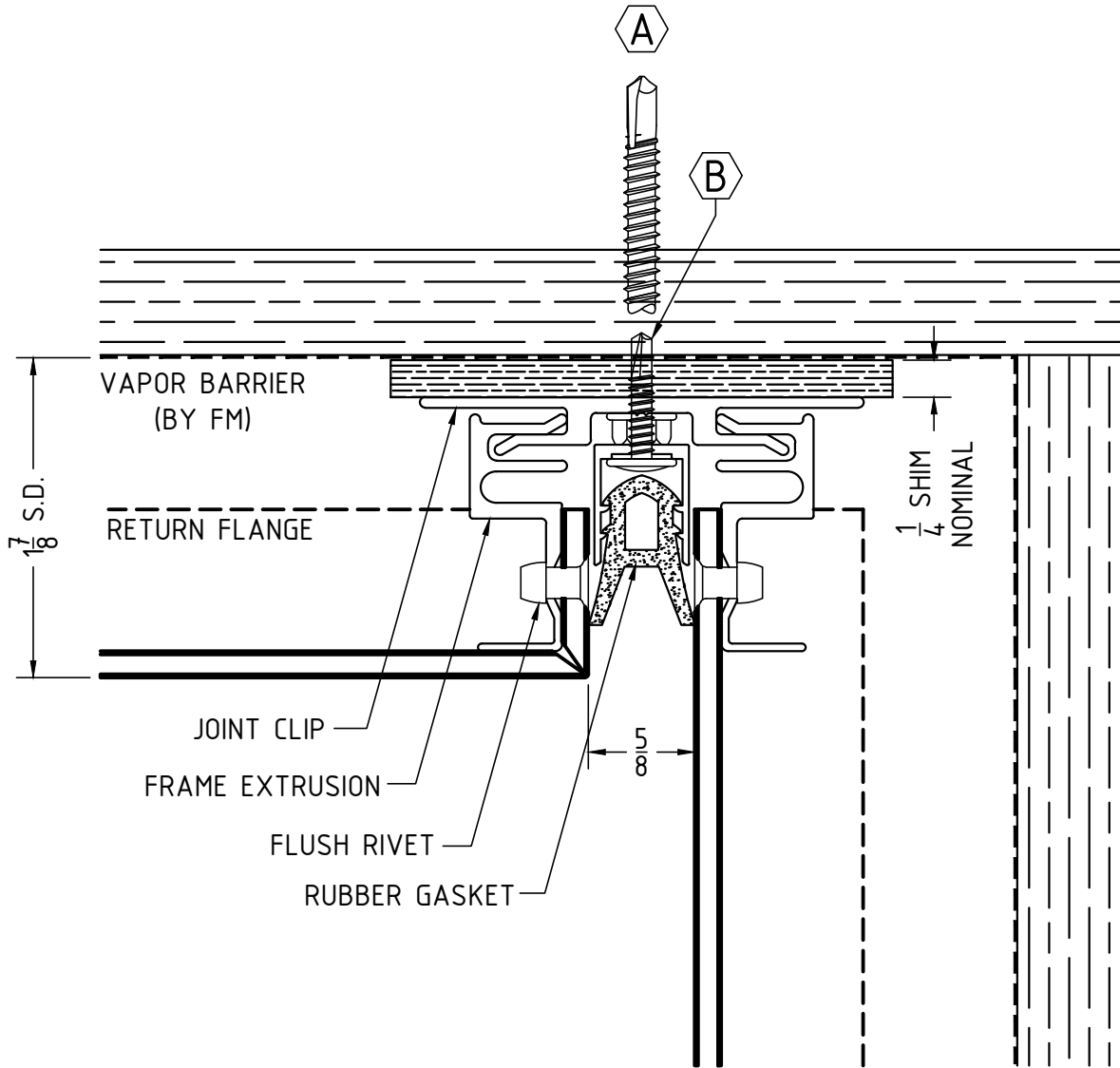
Project Name:
 GFM-HEADER TERMINATION

Drawing No.
 GFM-HT1

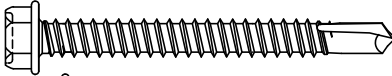

Drawn By: BJ

Scale: 1:1

Date: 03.05.2014



PANEL FASTENERS

- A** #10 X 2" HWH SD #3 
- B** #10-16X3/4" PWH SDS #3 



Fairfield Metal
 9 Audrey Place, Fairfield, NJ 07004
 Phone: 973-276-8440
 www.fairfieldmetal.com

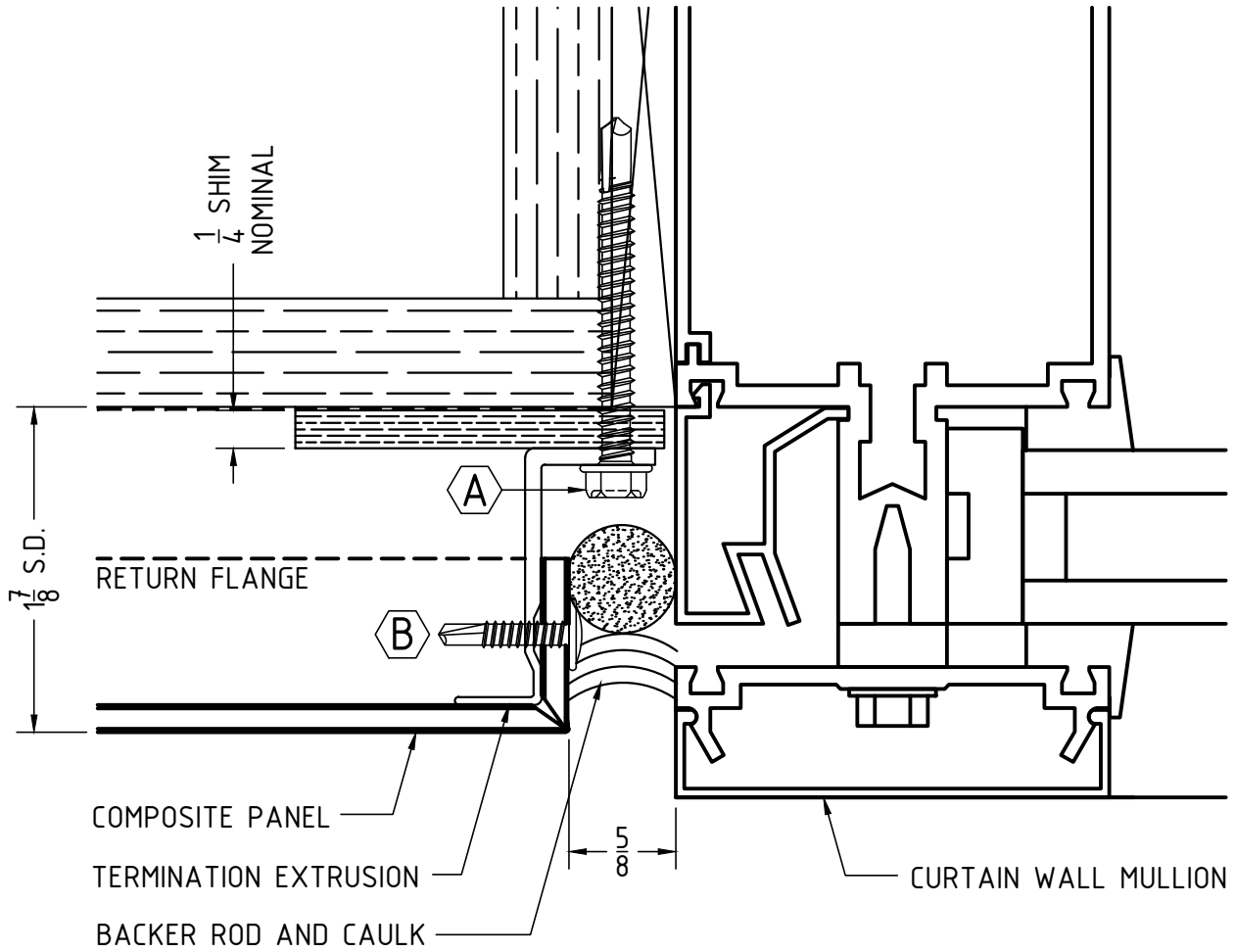
Project Name: GFM-INSIDE
 CORNER DETAIL

Drawing No.
 GFM-IC1

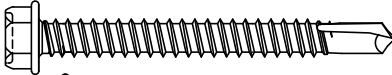
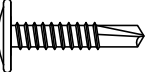
Drawn By: BJ

Scale: 1:1

Date: 03.05.2014



PANEL FASTENERS

- A** #10 X 2" HWH SD #3 
- B** #10-16X3/4" PWH SDS #3 



Fairfield Metal
 9 Audrey Place, Fairfield, NJ 07004
 Phone: 973-276-8440
 www.fairfieldmetal.com

Project Name:
 GFM-MULLION TERMINATION

Drawing No.
 GFM-MT1

Drawn By: BJ

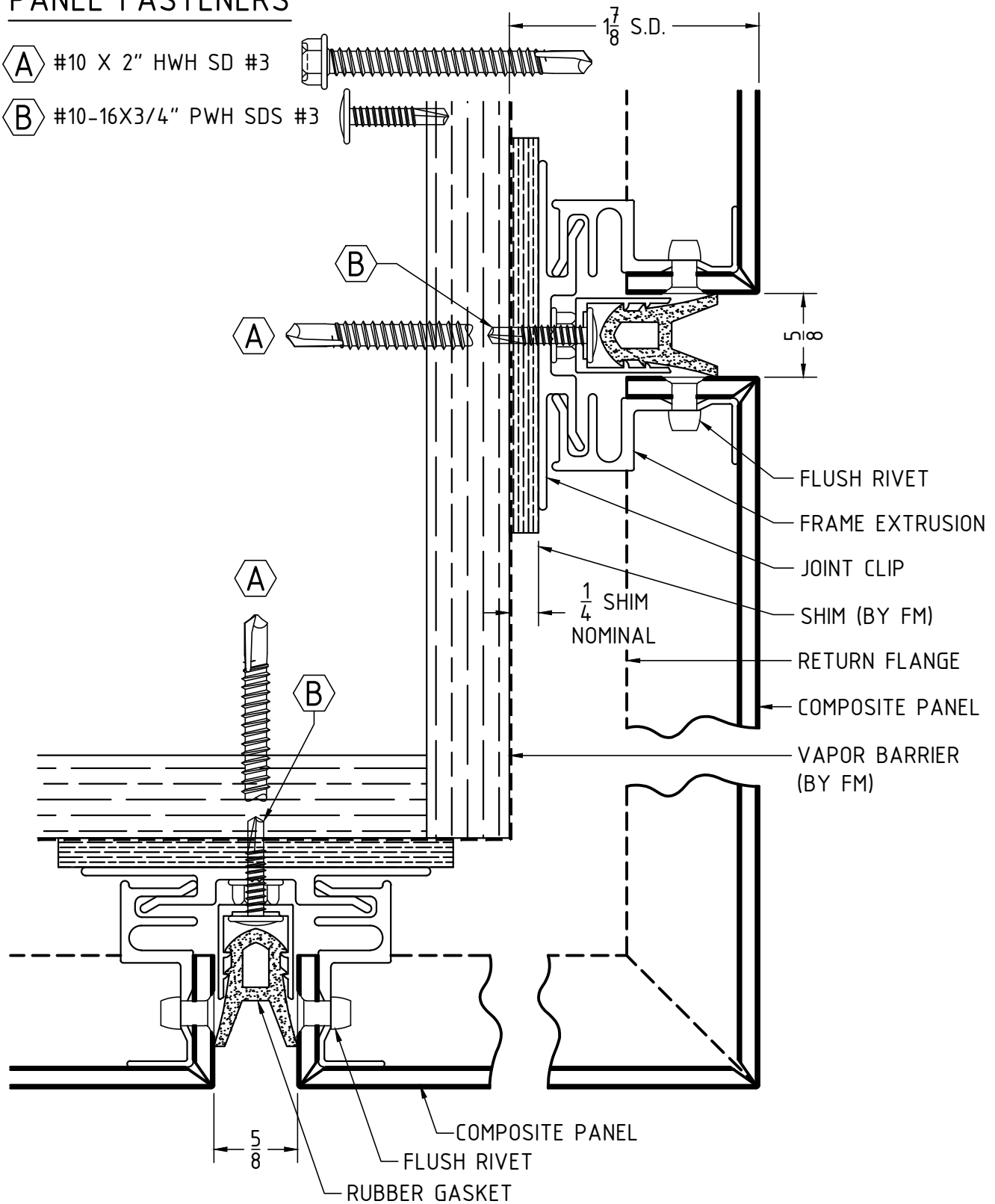
Scale: 1:1

Date: 03.05.2014

PANEL FASTENERS

A #10 X 2" HWH SD #3

B #10-16X3/4" PWH SDS #3



Fairfield Metal
 9 Audrey Place, Fairfield, NJ 07004
 Phone: 973-276-8440
 www.fairfieldmetal.com

Project Name: GFM-OUTSIDE
 CORNER DETAIL

Drawing No.
 GFM-OC1

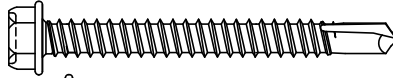
Drawn By: BJ

Scale: 1:1

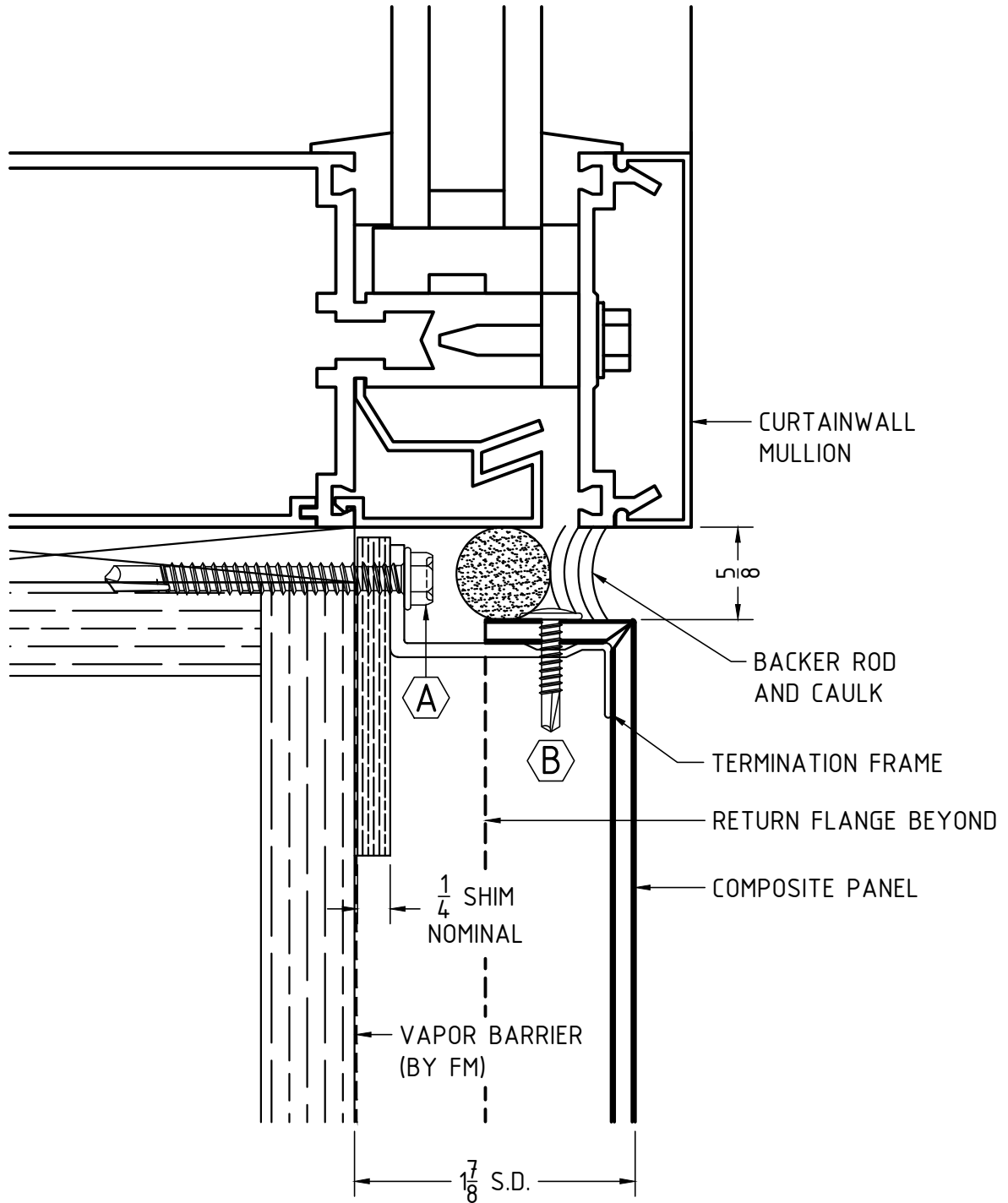
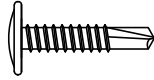
Date: 03.05.2014

PANEL FASTENERS

A #10 X 2" HWH SD #3



B #10-16X3/4" PWH SDS #3



Fairfield Metal
 9 Audrey Place, Fairfield, NJ 07004
 Phone: 973-276-8440
 www.fairfieldmetal.com

Project Name:
 GFM-WINDOW SILL

Drawing No.
 GFM-ST1

Drawn By: BJ

Scale: 1:1

Date: 03.05.2014