

STANDARD SIZES

A	B	C
4"	4"	4"
6"	6"	4"
8"	8"	4"
10"	10"	4"
12"	12"	4"

MATERIAL	FINISH	COLOR	DIMENSION	QUANTITIES
<input type="checkbox"/> 24 GA. GALV.	<input type="checkbox"/> KYNAR		A=	NO. UNITS
<input type="checkbox"/> .032 ALUMIN.	<input type="checkbox"/> MILL FINISH		B=	
<input type="checkbox"/> 16 OZ COPPER	<input type="checkbox"/> ENAMEL		C=	
<input type="checkbox"/> 26 GA SS	<input type="checkbox"/> ANODIZED		HINGE <input type="checkbox"/> Y	
<input type="checkbox"/> OTHER	<input type="checkbox"/> OTHER		<input type="checkbox"/> N	
			CORNERS <input type="checkbox"/> Y	
			SOLDERED <input type="checkbox"/> N	

PROJECT: _____

ARCHITECT: _____

ROOFING CONTRACTOR: _____


REPRESENTATIVE: _____

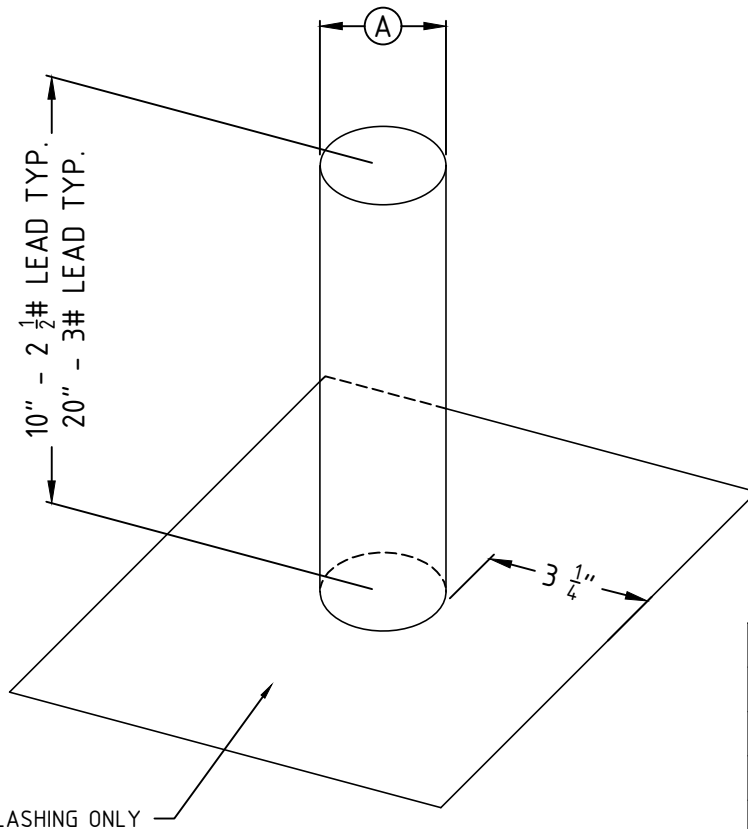
FABRICATION WILL PROCEED ONLY AFTER RECEIPT OF SIGNED DRAWING APPROVAL

DRAWING APPROVAL

ARCHITECT AND /OR CONTRACTOR SHALL VERIFY ALL DIMENSIONS, SIZES AND QUANTITIES. ALL PRODUCTS TO BE INSTALLED IN STRICT ACCORDANCE WITH FAIRFIELD METAL'S PRINTED INSTRUCTIONS.

APPROVED BY _____ DATE _____

 <p>Fairfield Metal 9 Audrey Place, Fairfield, NJ 07004 Phone: 973-276-8440 www.fairfieldmetal.com</p>	Drawing Title: PITCH PAN	Drawing No. P-001
	Drawn By: MD	



BELLOWS 10" FLASHING ONLY


STANDARD SIZES

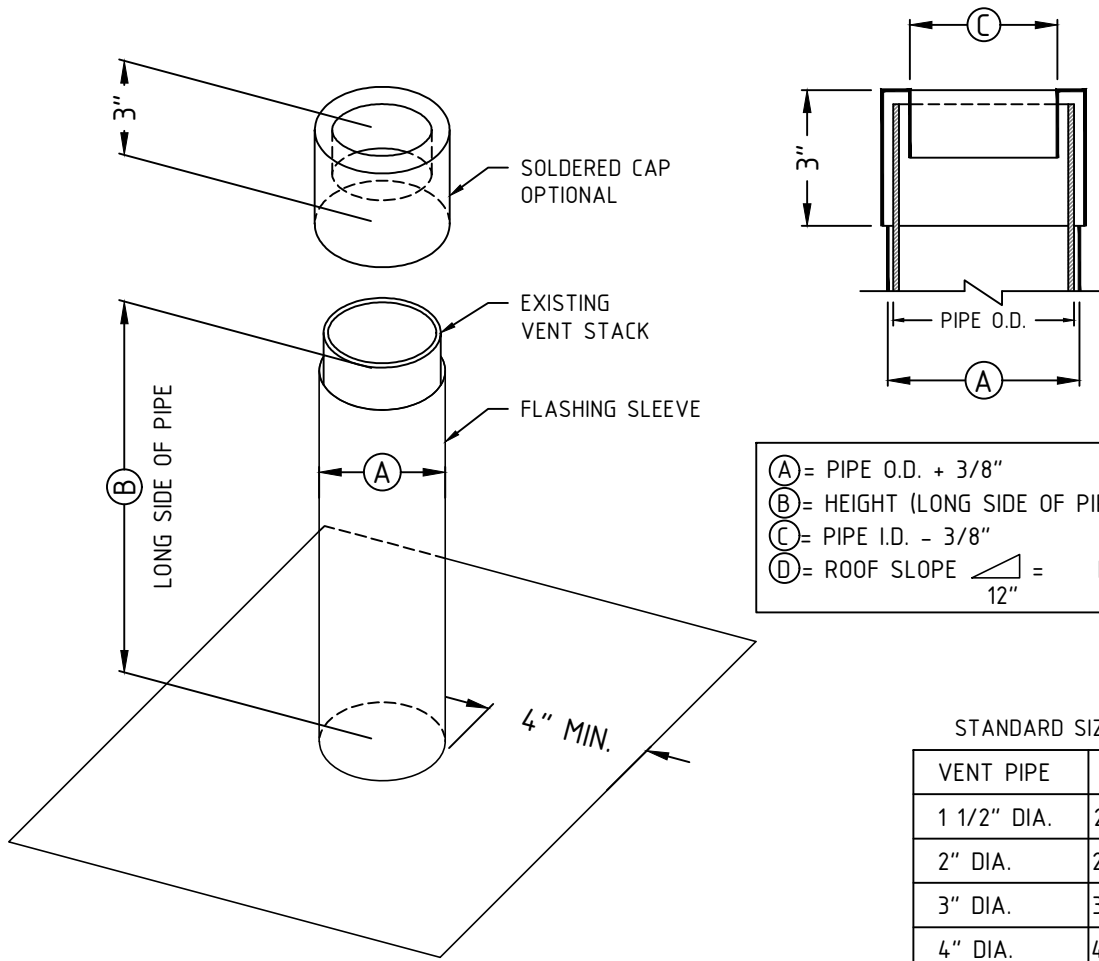
VENT PIPE	A
1 1/2" DIA.	2 1/4"
2" DIA.	2 3/4"
3" DIA.	3 3/4"
4" DIA.	4 3/4"
5" DIA.	5 3/4"

CUSTOM SIZES AVAILABLE

MATERIAL	FINISH	COLOR	DIMENSION	QUANTITIES
<input type="checkbox"/> 16 OZ COPPER	<input type="checkbox"/>		A=	NO. UNITS
<input type="checkbox"/> 20 OZ COPPER	<input type="checkbox"/>			ROOF SLOPE
<input type="checkbox"/> 16 OZ LCC	<input type="checkbox"/>			
<input type="checkbox"/> 20 OZ LCC	<input type="checkbox"/>			
<input type="checkbox"/> OTHER	<input type="checkbox"/>			

PROJECT:	<p>FABRICATION WILL PROCEED ONLY AFTER RECEIPT OF SIGNED DRAWING APPROVAL</p> <p>DRAWING APPROVAL</p> <p>ARCHITECT AND /OR CONTRACTOR SHALL VERIFY ALL DIMENSIONS, SIZES AND QUANTITIES. ALL PRODUCTS TO BE INSTALLED IN STRICT ACCORDANCE WITH FAIRFIELD METAL'S PRINTED INSTRUCTIONS.</p> <p>APPROVED BY _____ DATE _____</p>
ARCHITECT:	
ROOFING CONTRACTOR:	
REPRESENTATIVE:	


 <p>Fairfield Metal 9 Audrey Place, Fairfield, NJ 07004 Phone: 973-276-8440 www.fairfieldmetal.com</p>	Drawing Title: LEAD VENT PIPE FLASHING	Drawing No. P-002
	Drawn By: MD	

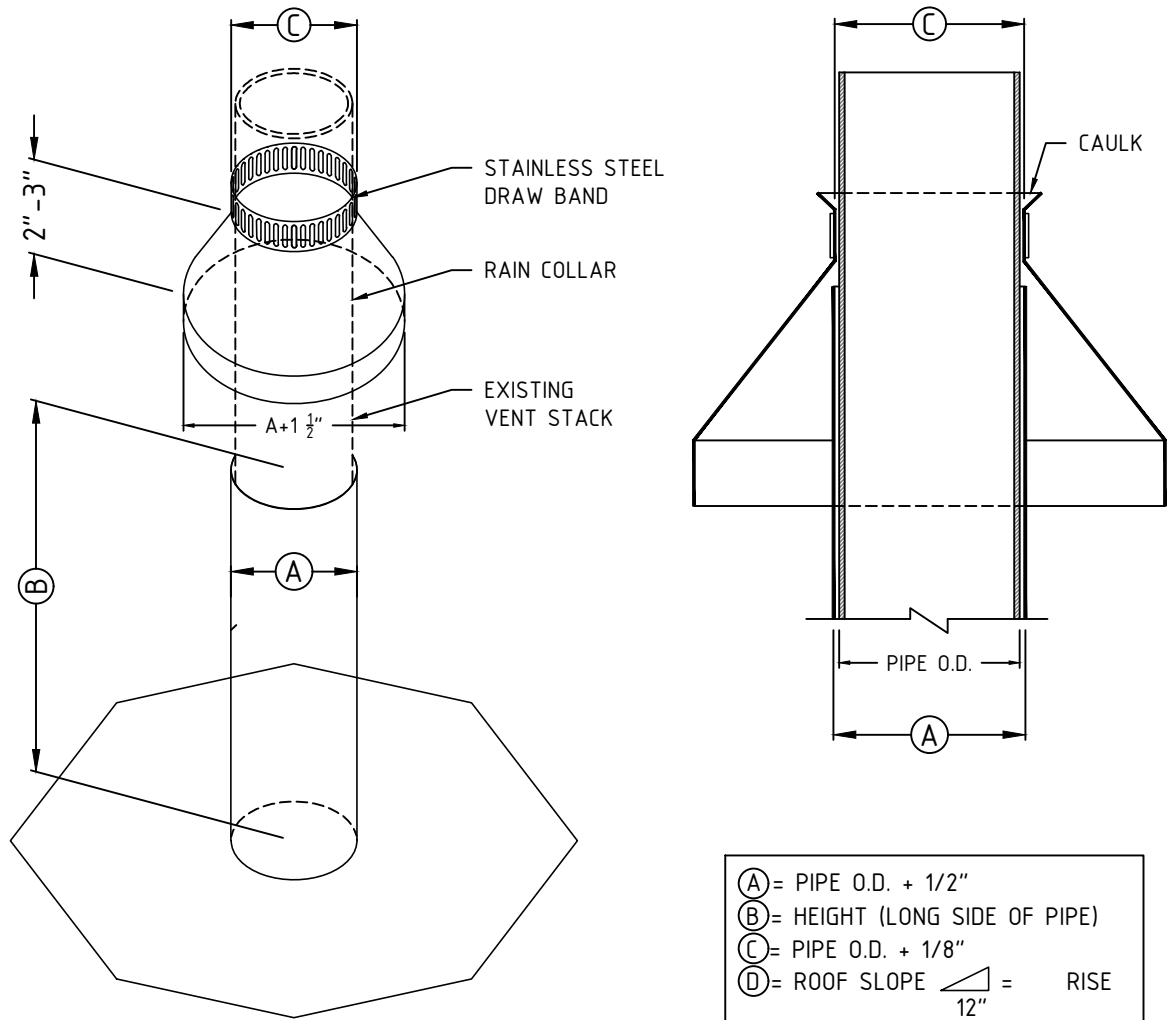


CUSTOM SIZES AVAILABLE

MATERIAL	FINISH	COLOR	DIMENSION	QUANTITIES
<input type="checkbox"/> 16 OZ COPPER	<input type="checkbox"/>		A=	NO. UNITS
<input type="checkbox"/> 20 OZ COPPER	<input type="checkbox"/>		B=	ROOF SLOPE
<input type="checkbox"/> 16 OZ LCC	<input type="checkbox"/>		C=	
<input type="checkbox"/> 20 OZ LCC	<input type="checkbox"/>		D=	
<input type="checkbox"/> OTHER	<input type="checkbox"/>		SOLDERED <input type="checkbox"/> Y	
			CAP <input type="checkbox"/> N	

PROJECT:	FABRICATION WILL PROCEED ONLY AFTER RECEIPT OF SIGNED DRAWING APPROVAL DRAWING APPROVAL ARCHITECT AND /OR CONTRACTOR SHALL VERIFY ALL DIMENSIONS, SIZES AND QUANTITIES. ALL PRODUCTS TO BE INSTALLED IN STRICT ACCORDANCE WITH FAIRFIELD METAL'S PRINTED INSTRUCTIONS. APPROVED BY _____ DATE _____
ARCHITECT:	
ROOFING CONTRACTOR:	
REPRESENTATIVE:	

 Fairfield Metal 9 Audrey Place, Fairfield, NJ 07004 Phone: 973-276-8440 www.fairfieldmetal.com	Drawing Title: CAP & SLEEVE VENT PIPE FLASHING		Drawing No. P-003
	Drawn By: MD	Date: 05.04.2015	



- (A) = PIPE O.D. + 1/2"
- (B) = HEIGHT (LONG SIDE OF PIPE)
- (C) = PIPE O.D. + 1/8"
- (D) = ROOF SLOPE $\frac{\text{RISE}}{12"} =$

MATERIAL	FINISH	COLOR	DIMENSION	QUANTITIES
<input type="checkbox"/> 24 GA GALV.	<input type="checkbox"/>		A=	NO. UNITS
<input type="checkbox"/> 16 OZ COPPER	<input type="checkbox"/>		B=	ROOF SLOPE
<input type="checkbox"/> 20 OZ COPPER	<input type="checkbox"/>		C=	
<input type="checkbox"/> 16 OZ LCC	<input type="checkbox"/>		D=	
<input type="checkbox"/> 20 OZ LCC	<input type="checkbox"/>			
<input type="checkbox"/> 24 GA SS				
<input type="checkbox"/> 26 GA SS				

PROJECT: _____

ARCHITECT: _____

ROOFING CONTRACTOR: _____


REPRESENTATIVE: _____

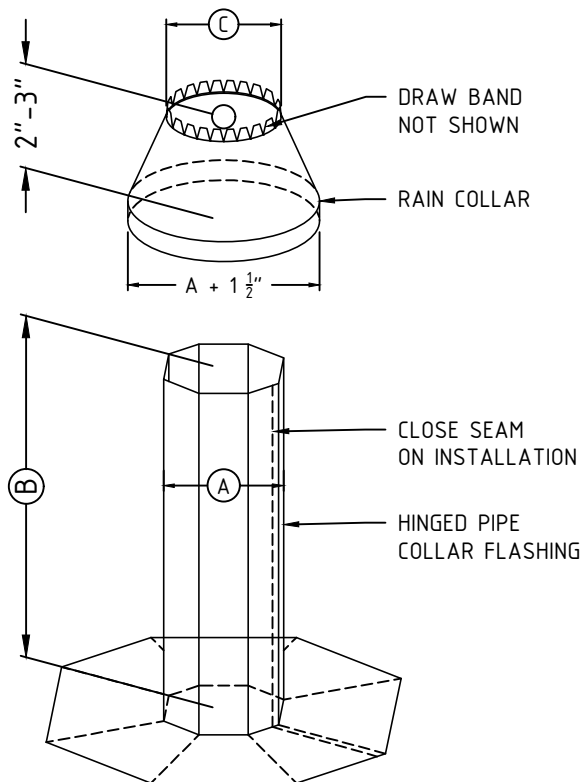
FABRICATION WILL PROCEED ONLY AFTER RECEIPT OF SIGNED DRAWING APPROVAL

DRAWING APPROVAL

ARCHITECT AND /OR CONTRACTOR SHALL VERIFY ALL DIMENSIONS, SIZES AND QUANTITIES. ALL PRODUCTS TO BE INSTALLED IN STRICT ACCORDANCE WITH FAIRFIELD METAL'S PRINTED INSTRUCTIONS.

APPROVED BY _____ DATE _____

 <p>Fairfield Metal 9 Audrey Place, Fairfield, NJ 07004 Phone: 973-276-8440 www.fairfieldmetal.com</p>	Drawing Title: VENT PIPE FLASHING RAIN COLLAR	Drawing No. P-004
	Drawn By: MD	Date: 05.04.2015



- (A) = PIPE O.D. + 1/2"
- (B) = HEIGHT (LONG SIDE OF PIPE)
- (C) = PIPE O.D. + 1/8"
- (D) = ROOF SLOPE $\frac{\text{RISE}}{12"} =$

MATERIAL	FINISH	COLOR	DIMENSION	QUANTITIES
<input type="checkbox"/> 24 GA GALV.	<input type="checkbox"/>		A=	NO. UNITS
<input type="checkbox"/> 16 OZ COPPER	<input type="checkbox"/>		B=	ROOF SLOPE
<input type="checkbox"/> 20 OZ COPPER	<input type="checkbox"/>		C=	
<input type="checkbox"/> 16 OZ LCC	<input type="checkbox"/>		D=	
<input type="checkbox"/> 20 OZ LCC	<input type="checkbox"/>			
<input type="checkbox"/> 24 GA SS				
<input type="checkbox"/> 26 GA SS				

PROJECT: _____

ARCHITECT: _____

ROOFING CONTRACTOR: _____

REPRESENTATIVE: _____

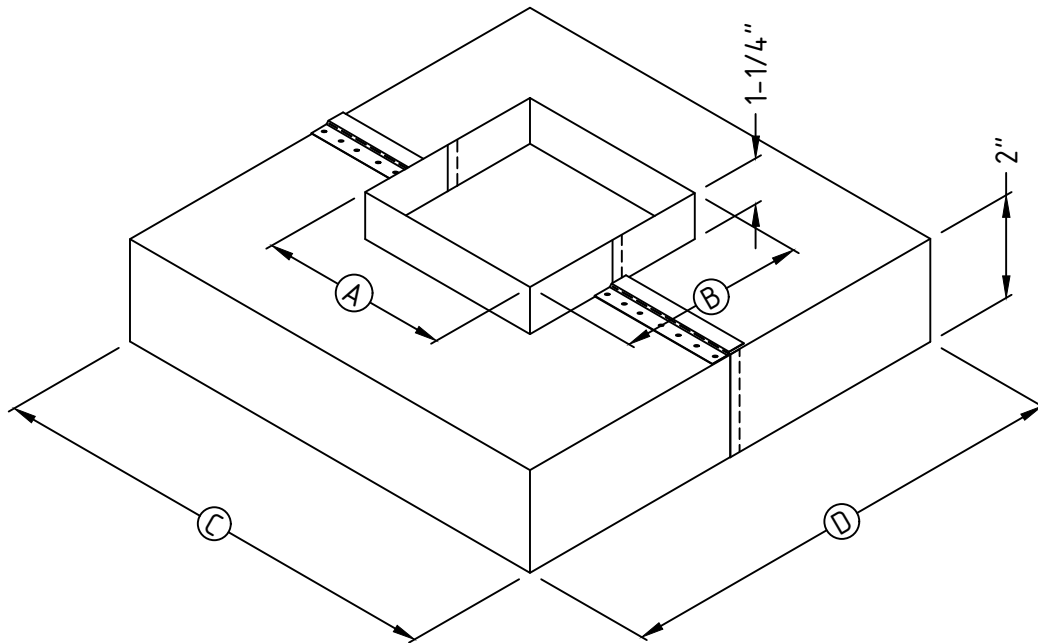
FABRICATION WILL PROCEED ONLY AFTER RECEIPT OF SIGNED DRAWING APPROVAL

DRAWING APPROVAL

ARCHITECT AND /OR CONTRACTOR SHALL VERIFY ALL DIMENSIONS, SIZES AND QUANTITIES. ALL PRODUCTS TO BE INSTALLED IN STRICT ACCORDANCE WITH FAIRFIELD METAL'S PRINTED INSTRUCTIONS.

APPROVED BY _____ DATE _____

 <p>Fairfield Metal 9 Audrey Place, Fairfield, NJ 07004 Phone: 973-276-8440 www.fairfieldmetal.com</p>	Drawing Title: <p style="text-align: center;">HINGED VENT PIPE FLASHING</p>		Drawing No. <p style="text-align: center;">P-005</p>
	Drawn By: MD	Date: 05.04.2015	



MATERIAL	FINISH	COLOR	DIMENSION	QUANTITIES
<input type="checkbox"/> 24 GA GALV.	<input type="checkbox"/>		A=	NO. UNITS
<input type="checkbox"/> 16 OZ COPPER	<input type="checkbox"/>		B=	ROOF SLOPE
<input type="checkbox"/> 20 OZ COPPER	<input type="checkbox"/>		C=	
<input type="checkbox"/> 16 OZ LCC	<input type="checkbox"/>		D=	
<input type="checkbox"/> 20 OZ LCC	<input type="checkbox"/>			
<input type="checkbox"/> 24 GA SS				
<input type="checkbox"/> 26 GA SS				

PROJECT:

ARCHITECT:

ROOFING CONTRACTOR:


REPRESENTATIVE:

FABRICATION WILL PROCEED ONLY AFTER RECEIPT OF SIGNED DRAWING APPROVAL

DRAWING APPROVAL

ARCHITECT AND /OR CONTRACTOR SHALL VERIFY ALL DIMENSIONS, SIZES AND QUANTITIES. ALL PRODUCTS TO BE INSTALLED IN STRICT ACCORDANCE WITH FAIRFIELD METAL'S PRINTED INSTRUCTIONS.

APPROVED BY _____ DATE _____

 <p>Fairfield Metal 9 Audrey Place, Fairfield, NJ 07004 Phone: 973-276-8440 www.fairfieldmetal.com</p>	Drawing Title: POST BASE FLASHING		Drawing No. P-006
	Drawn By: MD	Date: 05.04.2015	