

MATERIAL	FINISH	COLOR	DIMENSION	QUANTITIES
<input type="checkbox"/> 24 GA. GALV STL W/ 22 GA. GALV CLEAT	<input type="checkbox"/> KYNAR		A=	LINEAR FT
<input type="checkbox"/> .040 ALUMIN. W/ .050 ALUMIN. CLEAT	<input type="checkbox"/> MILL FINISH			OUTSIDE MITERS DEG.
	<input type="checkbox"/> ENAMEL			INSIDE MITERS DEG.
	<input type="checkbox"/> ANODIZED		CLEAT	
			(X)	
			(Y)	

PROJECT:

ARCHITECT:

ROOFING CONTRACTOR:


REPRESENTATIVE:

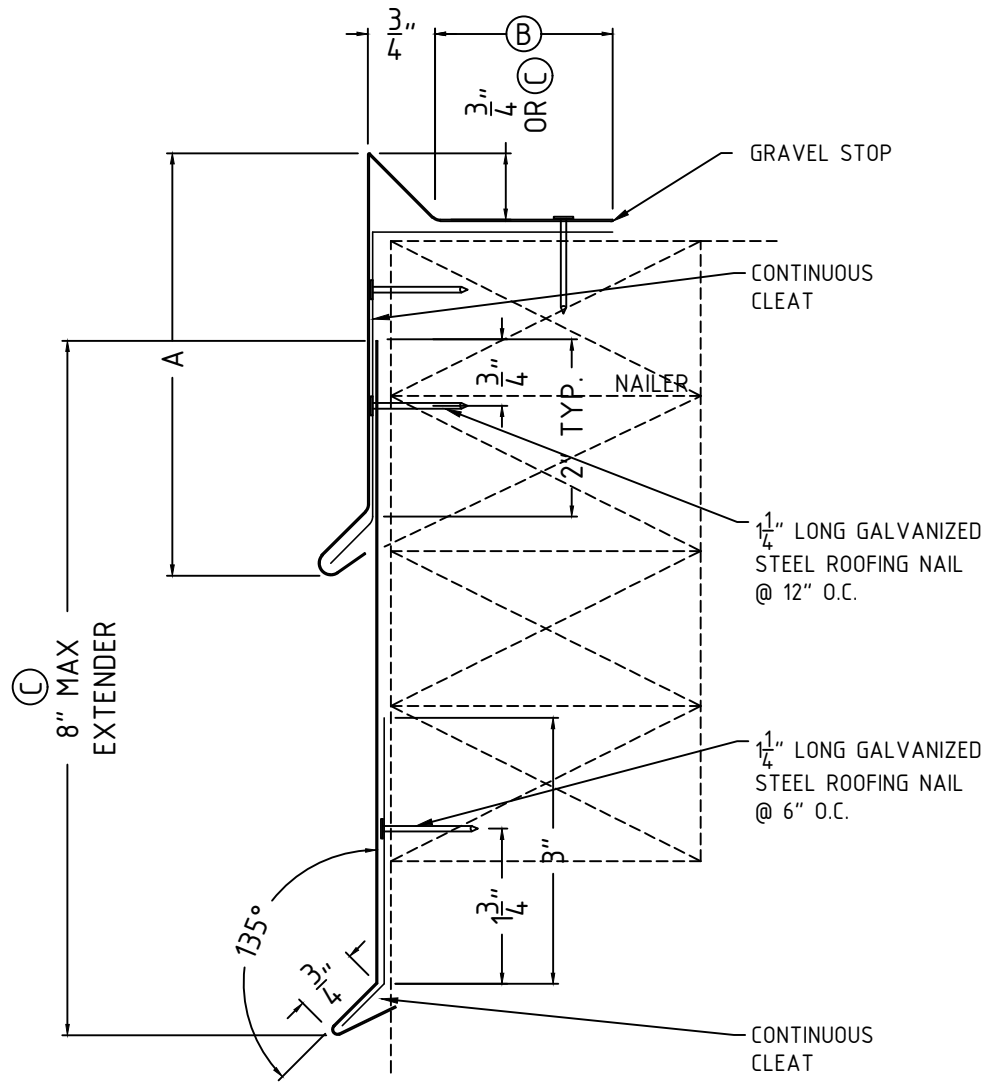
FABRICATION WILL PROCEED ONLY AFTER RECEIPT OF SIGNED DRAWING APPROVAL

DRAWING APPROVAL

ARCHITECT AND /OR CONTRACTOR SHALL VERIFY ALL DIMENSIONS, SIZES AND QUANTITIES. ALL PRODUCTS TO BE INSTALLED IN STRICT ACCORDANCE WITH FAIRFIELD METAL'S PRINTED INSTRUCTIONS.

APPROVED BY _____ DATE _____

 <p>Fairfield Metal 9 Audrey Place, Fairfield, NJ 07004 Phone: 973-276-8440 www.fairfieldmetal.com</p>	Drawing Title: FLASHING GRAVEL STOP W/ CONT. CLEAT; UL-25; UL-26		Drawing No. F-001
	Drawn By: MD	Date: 10.19.2017	



MATERIAL	FINISH	COLOR	DIMENSION	QUANTITIES
<input type="checkbox"/> 24 GA. GALV. STL. W/ 22 GA. GALV. CLEAT	<input type="checkbox"/> KYNAR		A=	LINEAR FT
<input type="checkbox"/> .040 ALUMINUM W/ .050 ALUMINUM CLEAT	<input type="checkbox"/> MILL FINISH		B=	OUTSIDE MITERS DEG.
	<input type="checkbox"/> ENAMEL		C=	INSIDE MITERS DEG.
	<input type="checkbox"/> ANODIZED		D=	

PROJECT:

ARCHITECT:

ROOFING CONTRACTOR:

REPRESENTATIVE:

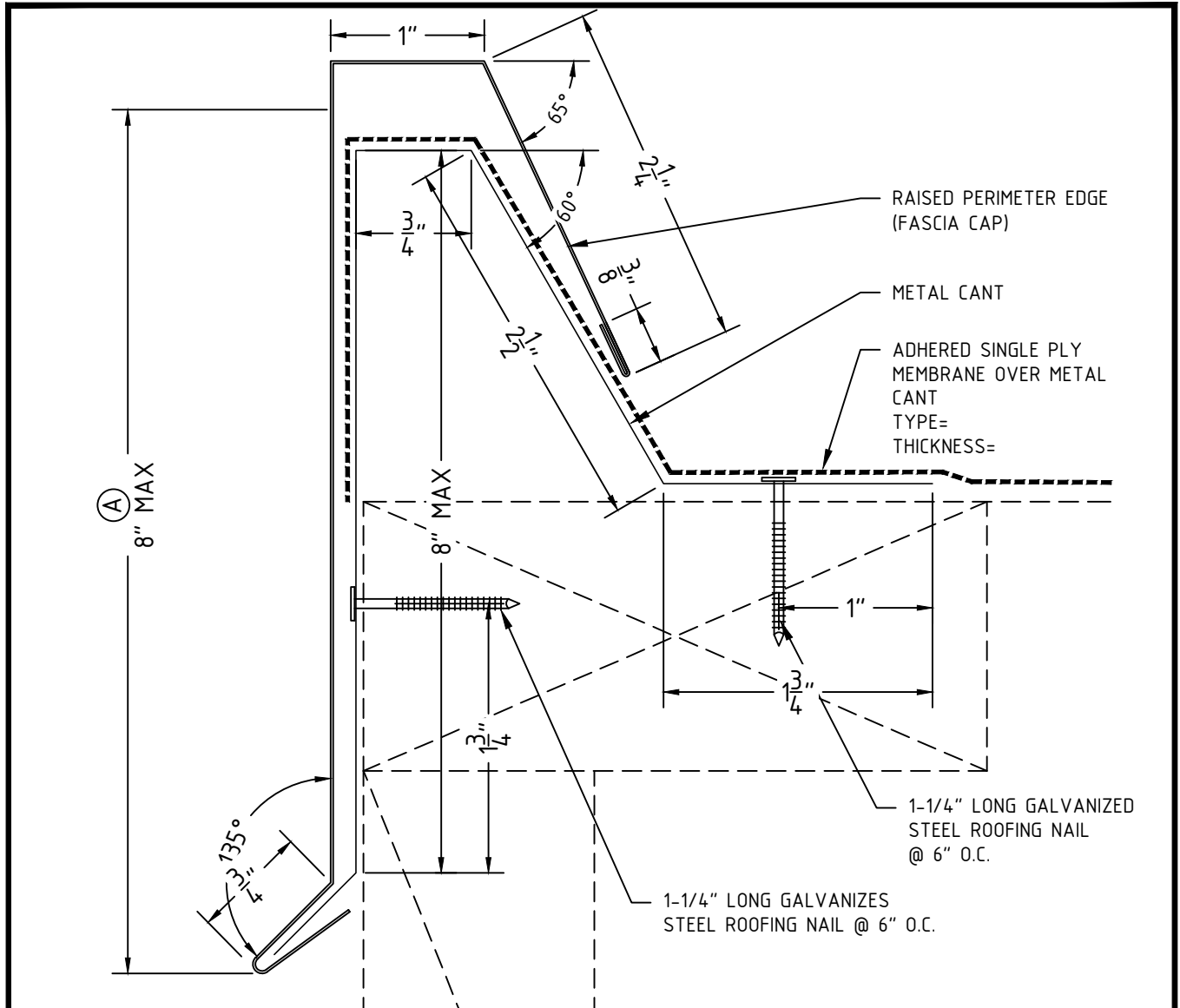
FABRICATION WILL PROCEED ONLY AFTER RECEIPT OF SIGNED DRAWING APPROVAL

DRAWING APPROVAL

ARCHITECT AND /OR CONTRACTOR SHALL VERIFY ALL DIMENSIONS, SIZES AND QUANTITIES. ALL PRODUCTS TO BE INSTALLED IN STRICT ACCORDANCE WITH FAIRFIELD METAL'S PRINTED INSTRUCTIONS.

APPROVED BY _____ DATE _____

 <p>Fairfield Metal 9 Audrey Place, Fairfield, NJ 07004 Phone: 973-276-8440 www.fairfieldmetal.com</p>	<p>Drawing Title: FLASHING GRAVEL STOP W/ EXTENDER ANSI/SPRI ES-1 CERTIFIED; UL-34; UL-35</p>	<p>Drawing No. F-002</p>
	<p>Drawn By: MD</p>	<p>Date: 10.19.2017</p>



MATERIAL	FINISH	COLOR	DIMENSION	QUANTITIES
<input type="checkbox"/> 24 GA. GALV STL W/ 22 GA. GALV CLEAT	<input type="checkbox"/> KYNAR		A=	LINEAR FT
<input type="checkbox"/> .040 ALUMIN. W/ .050 ALUMIN. CLEAT	<input type="checkbox"/> MILL FINISH		B=	OUTSIDE MITERS DEG.
	<input type="checkbox"/> ENAMEL		C=	INSIDE MITERS DEG.
	<input type="checkbox"/> ANODIZED		D=	RIGHT END CAPS
			ANGLE 1=	LEFT END CAPS
			ANGLE 2=	SPLICE PLATE TAPE SEALANT

PROJECT:

ARCHITECT:

ROOFING CONTRACTOR:


REPRESENTATIVE:

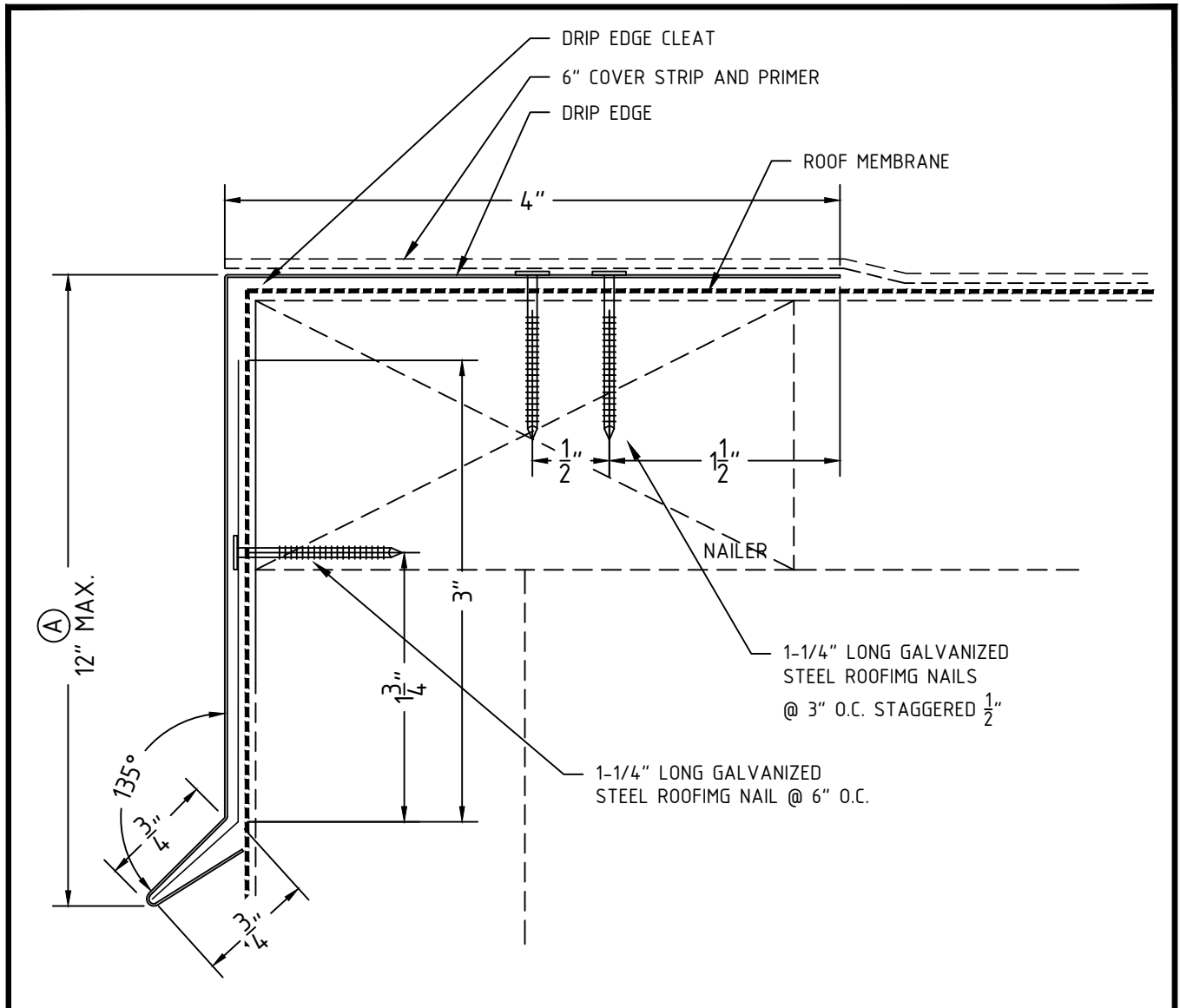
FABRICATION WILL PROCEED ONLY AFTER RECEIPT OF SIGNED DRAWING APPROVAL

DRAWING APPROVAL

ARCHITECT AND /OR CONTRACTOR SHALL VERIFY ALL DIMENSIONS, SIZES AND QUANTITIES. ALL PRODUCTS TO BE INSTALLED IN STRICT ACCORDANCE WITH FAIRFIELD METAL'S PRINTED INSTRUCTIONS.

APPROVED BY _____ DATE _____

 <p>Fairfield Metal 9 Audrey Place, Fairfield, NJ 07004 Phone: 973-276-8440 www.fairfieldmetal.com</p>	<p>Drawing Title: FLASHING-GRAVEL STOP ANSI/SPRI ES-1 CERTIFIED; UL-37; UL-36</p>	<p>Drawing No. F-011</p>
	<p>Drawn By: MD Date: 10.19.2017</p>	



MATERIAL	FINISH	COLOR	DIMENSION	QUANTITIES
<input type="checkbox"/> 24 GA. GALV STL W/ 20 GA. GALV STL CLEAT	<input type="checkbox"/> KYNAR		A=	LINEAR FT
<input type="checkbox"/> .040 ALUMIN. W/ .050 ALUMIN. CLEAT	<input type="checkbox"/> MILL FINISH		B=	OUTSIDE MITERS DEG.
<input type="checkbox"/> .050 ALUMIN. W/ .063 ALUMIN. CLEAT	<input type="checkbox"/> ENAMEL		C=	INSIDE MITERS DEG.
	<input type="checkbox"/> ANODIZED		D=	RIGHT END CAPS
			ANGLE 1=	LEFT END CAPS
			ANGLE 2=	SPLICE PLATE TAPE SEALANT

PROJECT: _____

ARCHITECT: _____

ROOFING CONTRACTOR: _____

REPRESENTATIVE: _____

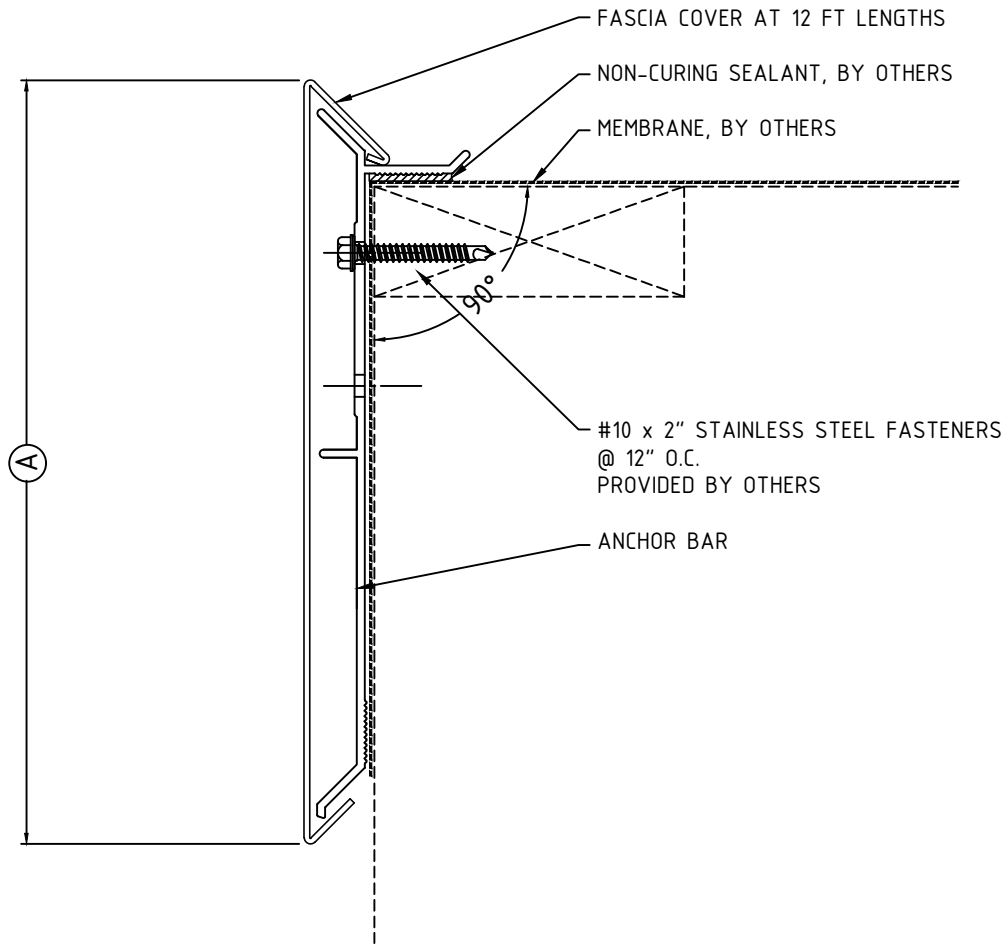
FABRICATION WILL PROCEED ONLY AFTER RECEIPT OF SIGNED DRAWING APPROVAL

DRAWING APPROVAL

ARCHITECT AND /OR CONTRACTOR SHALL VERIFY ALL DIMENSIONS, SIZES AND QUANTITIES. ALL PRODUCTS TO BE INSTALLED IN STRICT ACCORDANCE WITH FAIRFIELD METAL'S PRINTED INSTRUCTIONS.


APPROVED BY _____ DATE _____

 <p>Fairfield Metal 9 Audrey Place, Fairfield, NJ 07004 Phone: 973-276-8440 www.fairfieldmetal.com</p>	Drawing Title: FLASHING-DRIP EDGE ANSI/SPRI ES-1 CERTIFIED; UL-31; UL-32; UL-33	Drawing No. F-013
	Drawn By: MD	



MATERIAL	FINISH	COLOR	A= DIMENSION	QUANTITIES
<input type="checkbox"/> 24 GA. GALV.	<input type="checkbox"/> KYNAR		<input type="checkbox"/> 4.9"	2 NAILERS LINEAR FT
<input type="checkbox"/> .040 ALUMIN.	<input type="checkbox"/> MILL FINISH		<input type="checkbox"/> 6"	3 NAILERS OUTSIDE MITERS DEG.
	<input type="checkbox"/> ENAMEL		<input type="checkbox"/> 8"	4 NAILERS INSIDE MITERS DEG.
	<input type="checkbox"/> ANODIZED			
			ANGLE 1=	
			ANGLE 2=	

PROJECT:	FABRICATION WILL PROCEED ONLY AFTER RECEIPT OF SIGNED DRAWING APPROVAL DRAWING APPROVAL ARCHITECT AND /OR CONTRACTOR SHALL VERIFY ALL DIMENSIONS, SIZES AND QUANTITIES. ALL PRODUCTS TO BE INSTALLED IN STRICT ACCORDANCE WITH FAIRFIELD METAL'S PRINTED INSTRUCTIONS. APPROVED BY _____ DATE _____
ARCHITECT:	
ROOFING CONTRACTOR:	
REPRESENTATIVE:	

 Fairfield Metal 9 Audrey Place, Fairfield, NJ 07004 Phone: 973-276-8440 www.fairfieldmetal.com	Drawing Title: FAIRFIELD HD FASCIA		Drawing No. F-015
	Drawn By: MD	Date: 06.18.2018	