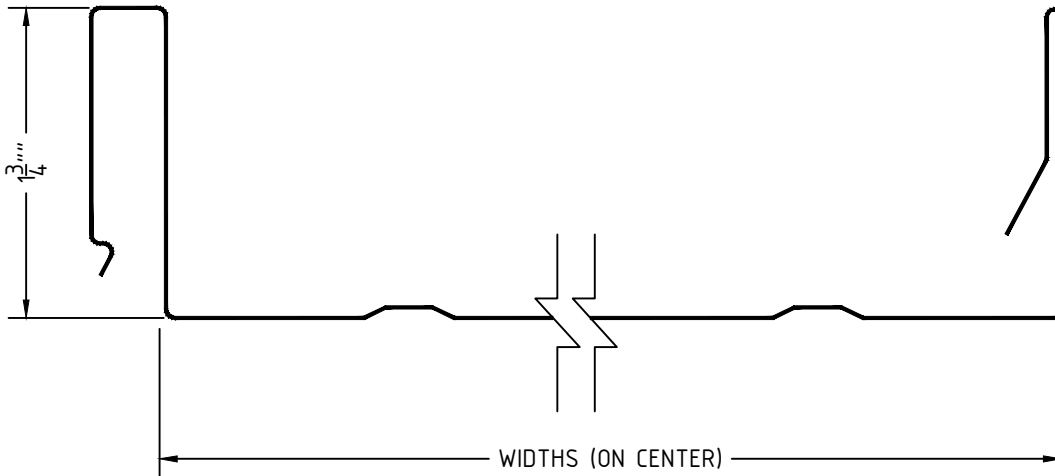
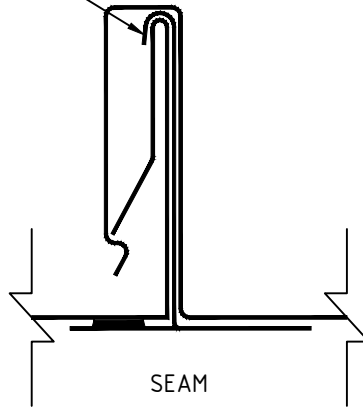


CLIP ON CENTER
@ 24" MIN.



RIBS (OPTIONAL)

MINIMUM ROOF PITCH: 1:12 FOR LOW ROOF PITCH

MATERIAL	FINISH	WIDTHS	LENGTH	PROFILE	QUANTITIES
<input type="checkbox"/> 24 GA. GALV.	<input type="checkbox"/> X	<input type="checkbox"/> 12"			SQ FT
<input type="checkbox"/> .032" ALUMIN.	<input type="checkbox"/> X	<input type="checkbox"/> 14"			
<input type="checkbox"/> .040" ALUMIN.	<input type="checkbox"/> X	<input type="checkbox"/> 16"			
<input type="checkbox"/> 16 OZ COPPER	<input type="checkbox"/> X	<input type="checkbox"/> 18"			
<input type="checkbox"/> OTHER					
<input type="checkbox"/>	COLOR:				
<input type="checkbox"/> STIFFENING RIBS					



Fairfield Metal
9 Audrey Place, Fairfield, NJ 07004
Phone: 973-276-8440
www.fairfieldmetal.com

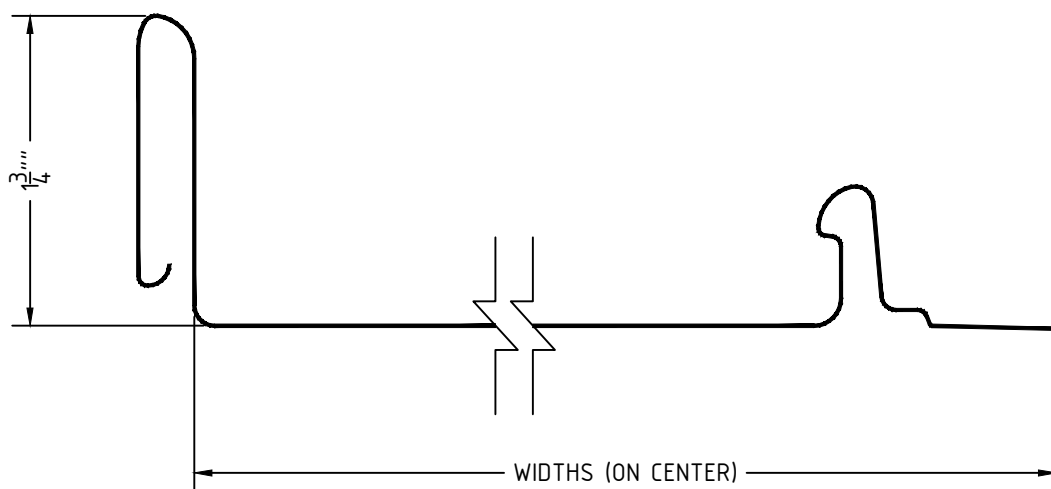
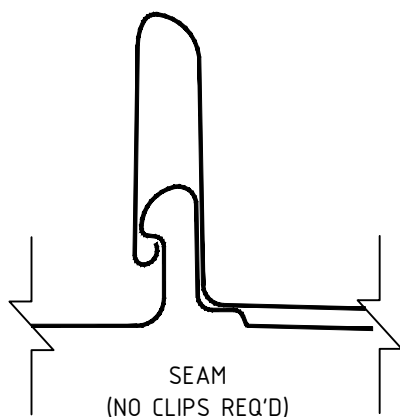
Drawing Title: **STANDING SEAM ROOF**
1 3/4" SNAP LOCK

Drawn By: **MD**

Date: **07.12.2016**

Drawing No.

SR-002



MINIMUM ROOF PITCH: 3:12 FOR LOW ROOF PITCH

MATERIAL	FINISH	WIDTHS	LENGTH	PROFILE	QUANTITIES
<input type="checkbox"/> 24 GA. GALV.	<input type="checkbox"/> X	<input type="checkbox"/> 12"			SQ FT
<input type="checkbox"/> .032" ALUMIN.	<input type="checkbox"/> X	<input type="checkbox"/> 14"			SQ FT
<input type="checkbox"/> .040" ALUMIN.	<input type="checkbox"/> X	<input type="checkbox"/> 16"			
<input type="checkbox"/> 16 OZ COPPER	<input type="checkbox"/> X	<input type="checkbox"/> 18"			
<input type="checkbox"/> OTHER					
<input type="checkbox"/>	COLOR:				
<input type="checkbox"/> STIFFENING RIBS					



Fairfield Metal

9 Audrey Place, Fairfield, NJ 07004
Phone: 973-276-8440
www.fairfieldmetal.com

Drawing Title: **STANDING SEAM ROOF**
1 3/4" NAILSTRIP

Drawn By: MD

Date: 07.12.2016

Drawing No.

SR-004